

# **Installation Note**

---

**Agilent Technologies**  
**ESA Spectrum Analyzers and EMC Analyzers**  
**Rack Mount Kit (Option 1CP)**  
**Kit Number: E4401-60057**



**Agilent Technologies**

Part Number E4401-90326 Supercedes E4401-90081  
Printed in USA July 2001

**Notice.**

The information contained in this document is subject to change without notice.

Agilent Technologies makes no warranty of any kind with regard to this material, including but not limited to, the implied warranties of merchantability and fitness for a particular purpose. Agilent Technologies shall not be liable for errors contained herein or for incidental or consequential damages in connection with the furnishing, performance, or use of this material.

---

# Agilent Technologies ESA Spectrum Analyzers and EMC Analyzers Rack Mount Kit (Option 1CP)

## Introduction

Products Affected: .....	E4401B Spectrum Analyzer E4402B Spectrum Analyzer E4403B Spectrum Analyzer E4404B Spectrum Analyzer E4405B Spectrum Analyzer E4407B Spectrum Analyzer E4408B Spectrum Analyzer E4411A Spectrum Analyzer E4411B Spectrum Analyzer E7401A EMC Analyzer E7402A EMC Analyzer E7403A EMC Analyzer E7404A EMC Analyzer E7405A EMC Analyzer
Serial Numbers: .....	US00000000/US99999999 MY00000000/MY99999999
Options: .....	all
To Be Performed By: .....	(X) Agilent Technologies Service Center (X) Personnel Qualified by Agilent (X) Customer
Estimated Installation Time:.....	0.5 Hours

This kit contains the parts and instructions to install a rack kit for an Agilent ESA Spectrum Analyzers and EMC Analyzers.

## Tools Required

- o T-15 TORX screwdriver
- o #2 pozidrive

---

**WARNING** Before you disassemble the instrument, turn the power switch OFF and unplug the instrument. Failure to unplug the instrument can result in personal injury.

---

---

**CAUTION** Electrostatic discharge (ESD) can damage or destroy electronic components. All work on electronic assemblies should be performed at a static-safe workstation. Refer to the documentation that pertains to your instrument for information about static-safe workstations and ordering static-safe accessories.

---

## Installation Kit Parts List

Item	Quantity	Description	Part Number
1	1	Support Bracket	E4401-00025
2	1	Clamp	E4401-00026
3	1	M4 X 0.7 X 6 LG	0515-0390
4	2	Support Bracket Handles	1440-0418
5	5	Hole Plugs	6960-0076
6	1	Slide Rail Mounting Kit (Includes 6A-6E)	1494-0059
6A	8	M4 X 0.7 Nut With Spring	
6B	4	M4 X 0.7 X12 LG Flat Head Machine Screw	
6C	4	M4 X 0.7 X12 LG Pan Head Machine Screw	
6D	4	M5 X 0.8 X14 LG Pan Head Machine Screw	
6E	4	#10-32 9/16 LG Pan Head Machine Screw	
7	4	Hole Plugs	6960-0059
8	4	Machine Screw, #10-32	0570-1577
9	4	Nut, Sheet Metal, #10-32	0590-0804
10	1	Installation Note	E4401-90326

## Procedure

---

**NOTE** The bracketed numbers in the procedure correspond to the item numbers on the parts list and the numbered parts in the figure on the following page.

---

1. Remove the handle from the analyzer by performing the following: Pull out on both sides of the handle and rotate it backwards until it is all the way to the rear position of the instrument. Rotate a few more degrees back (just below horizontal). Pull outwards simultaneously from both sides of the handle and remove.
2. Slide the analyzer into the support bracket (1) so that the front frame border fits into the support bracket opening.
3. Install the clamp (2) over the rear frame of the analyzer using one screw (3) to secure the analyzer in the support bracket. Make sure the anti-rotation tab has engaged the hole in the deck.

---

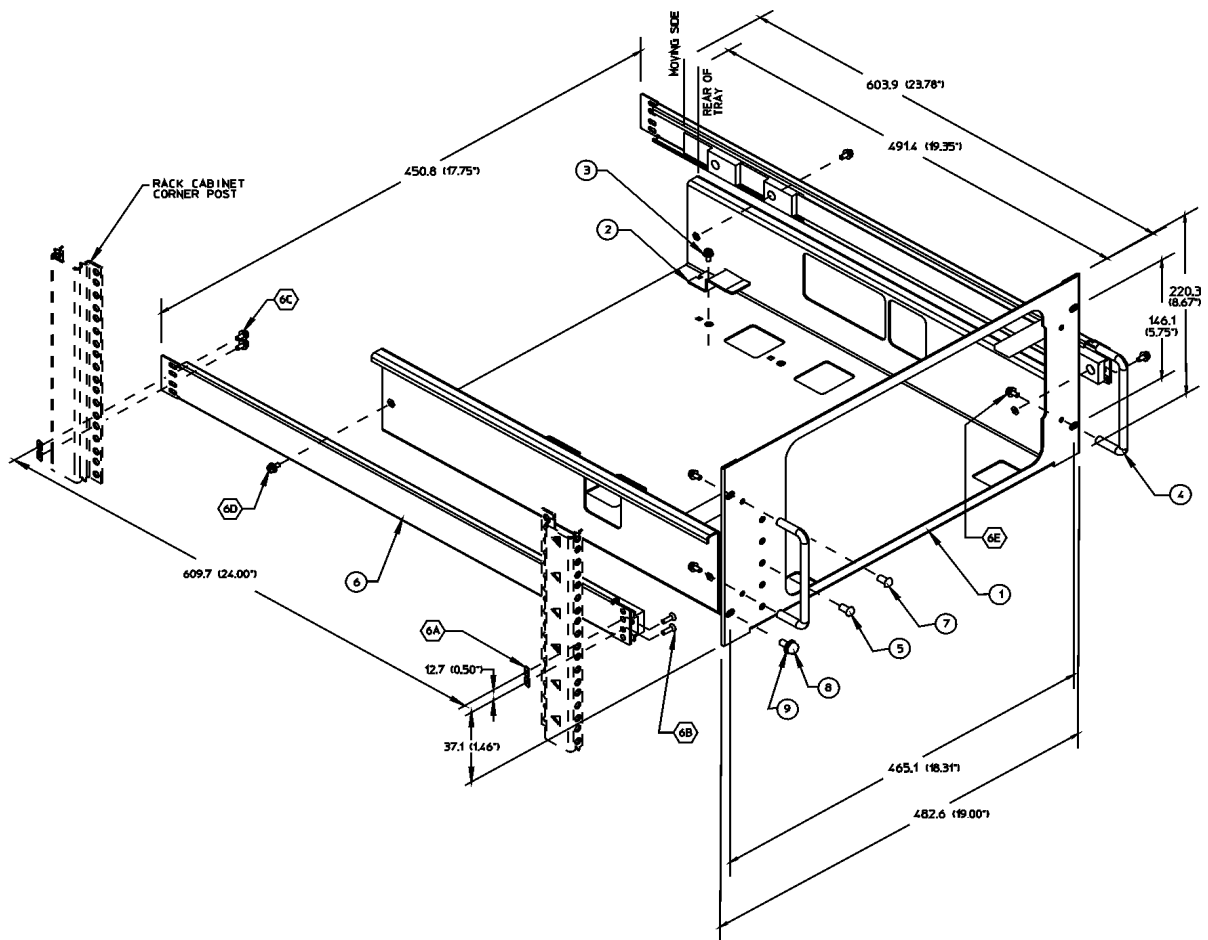
**NOTE** Each slide rail (left and right) consists of three parts. The part that attaches to the rack is referred to as the stationary section. The part that attaches to the support bracket is referred to as the chassis section. The part referred to as the intermediate section, slides between the stationary and chassis sections.

---

4. Remove the chassis sections of the slide rail assemblies. Attach one to each side of the support bracket using four screws (6D) as shown in the figure. (The slide rails have a label including the letters RH for the right slide, or LH for the left slide.)

5. Install the stationary sections of the slide rails into the rack using 8 nuts (6A) and 8 screws (6B and 6C) as shown in the figure.
6. Install the hole plugs (5) in unused bulkhead connector holes. (The holes are designed to fit SMA (f) to SMA (f) bulkhead connector Agilent 1250-1251.) The bulkhead connector holes can also be enlarged to fit other types of connectors, or to allow cables to pass through the bulkhead.
7. Install the support bracket handles (4) using 4 screws (6E). (If you don't want to install the handles, hole plugs (7) are provided.)
8. Install the analyzer assembly into the rack by first extending the intermediate sections to their fully extended and locked position. Engage the chassis section and slide the assembly into the rack until the lockouts have halted the insertion process. Depress the lockouts and continue the insertion to the fully seated position.
9. Secure the nuts (9) to the vertical rails of the rack.
10. Secure the analyzer assembly in the rack with 4 screws (8) and the nuts (9) that have been attached to the vertical rails of the rack.

**Figure 1**



dl71a